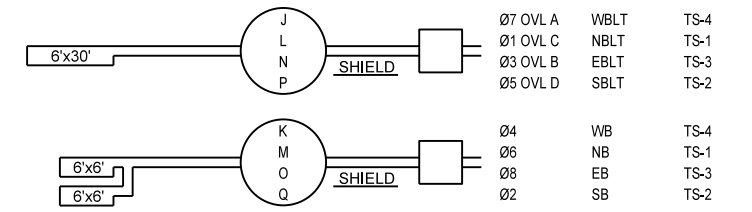
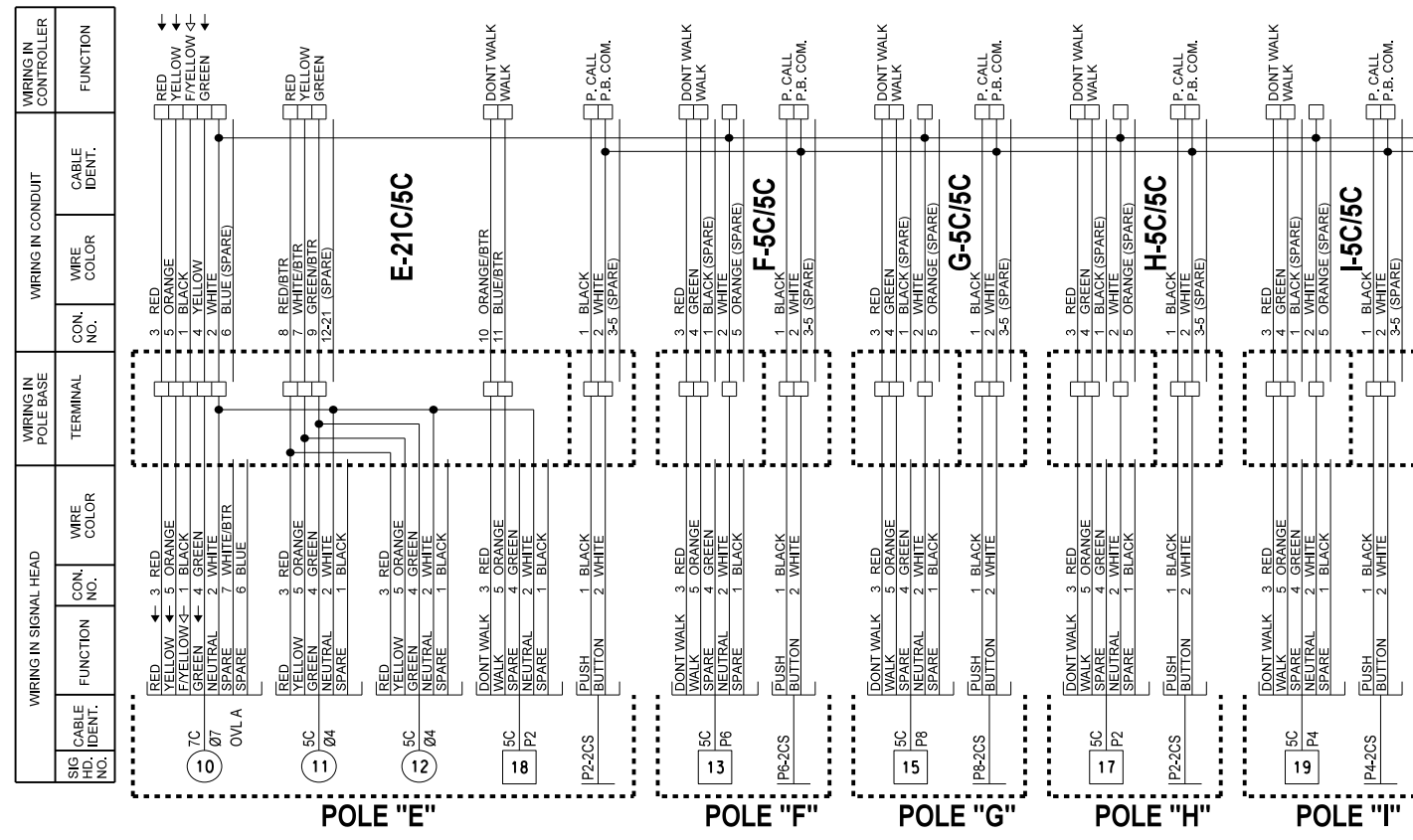
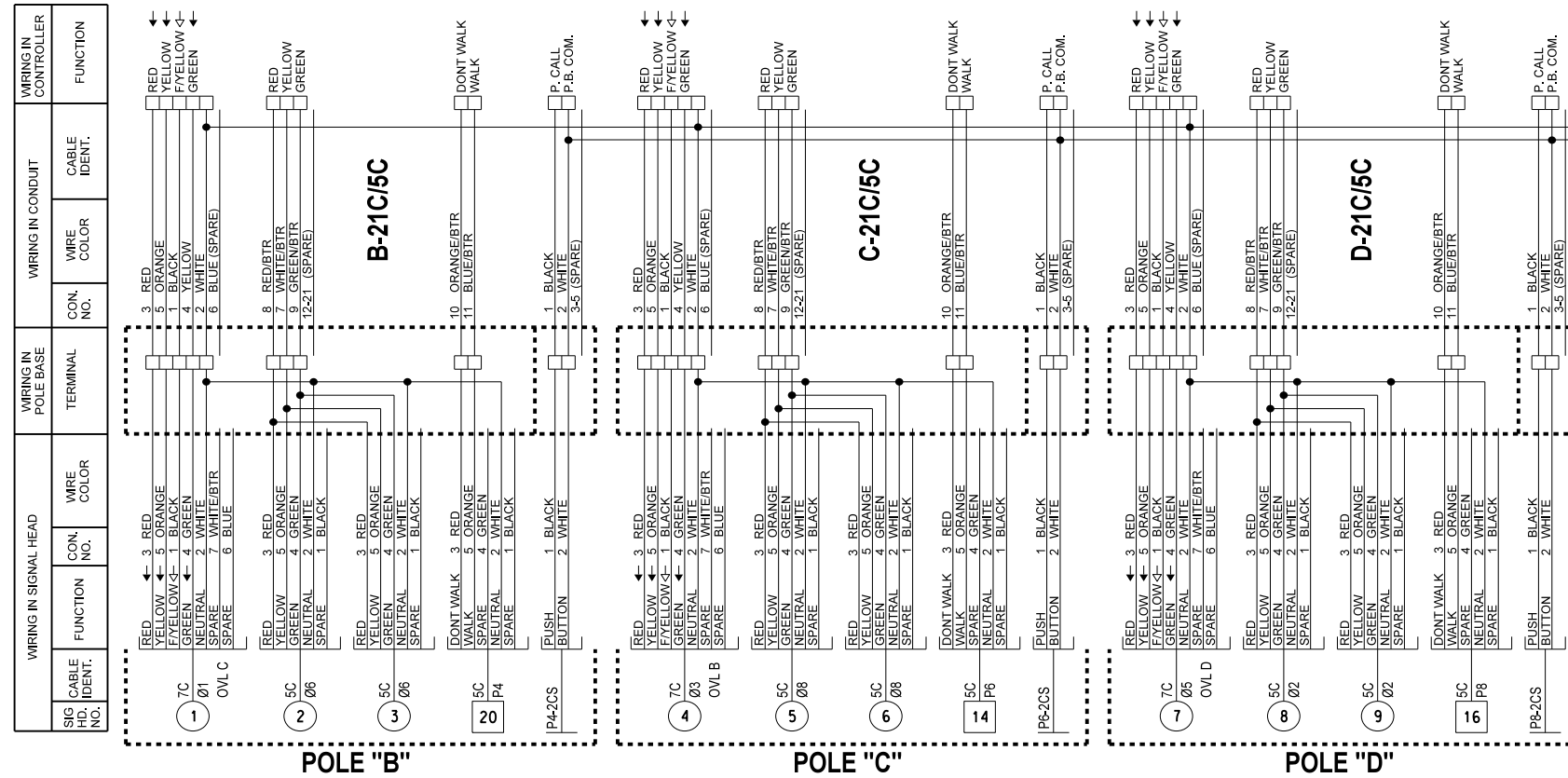
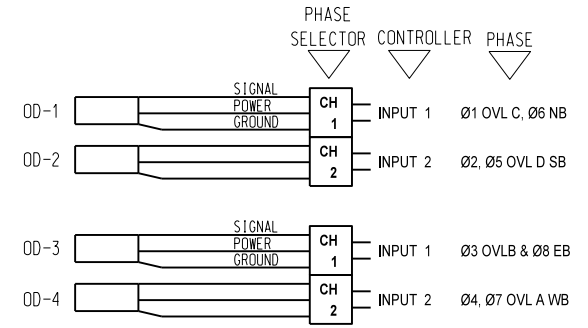


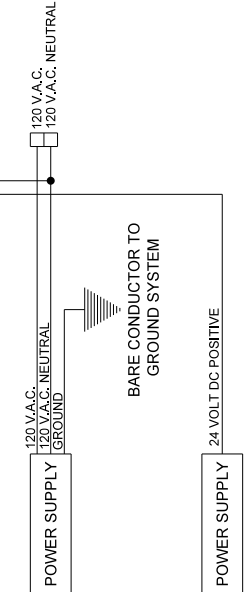
REVISIONS		
NO.	DESCRIPTION	DATE



DETECTION AREAS

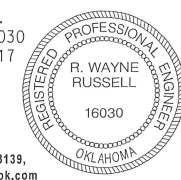


PRE-EMPTOR DETAILS



NOTE:
IF JUMPERS OR OTHER CONNECTIONS ARE MADE IN THE FIELD DURING INSTALLATION, AND ARE ACCEPTED BY THE ENGINEER THIS SHOULD BE SHOWN ON THE WIRING DIAGRAM FOR FUTURE REFERENCE.

R. Wayne Russell
R. WAYNE RUSSELL, P.E. # 16030
C.A. # 1160, RENEWAL 06-30-17



11-13-15
DATE
Traffic Engineering Consultants, Inc.
6000 S. Western, Suite 300 - Oklahoma City, OK 73139,
Ph: 405-720-7721, Fax: 405-720-9848, Web: www.tecok.com

Design	RWR	11-13-15
Drawn	SB	11-13-15



SIGNAL WIRING DIAGRAM
S. ROBINSON AVE. & OKLAHOMA CITY BOULEVARD
State Job No. 17428(89) Sheet No. 19